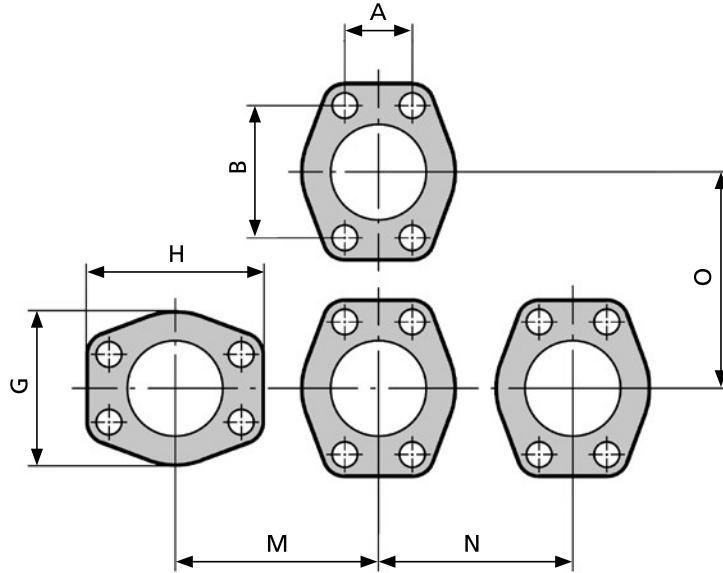


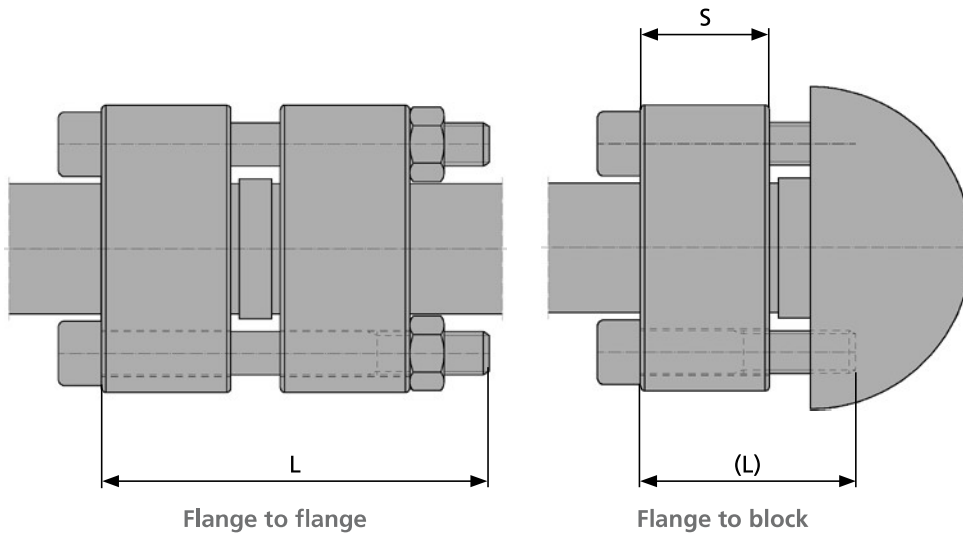
Flange dimensions.....	158
Retain ring flange .....	159
Grooving direct on to pipe.....	160
Flange for welding.....	161
Tee block, Elbow block .....	162
Blind flange .....	163
Seal carrier .....	164
Retain ring.....	165
O-ring.....	166

## Flange dimensions

Drilled to ISO 6162-2 (SAE J 518 Code 62)



Port dimensions for flange connections according to ISO 6162-2.



Flange to flange

Flange to block

Size	Part No	A	B	G	H	M	N	O	S	Bolt L DIN 912, 8.8	W.P. [bar]	Weight [kg]
1/2"	908/21.3	18.2	40.5	48	56	57	53	61	30	M8x90(55)	690	0.28
3/4"	912/26.7	23.8	50.8	60	71	70	65	76	35	M10x100(60)	690	0.41
1"	916/33.4	27.8	57.2	70	81	80	75	86	35	M12x100(65)	690	0.71
1 1/4"	920/42.2*	31.8	66.7	78	95	91	83	100	40	M14x120(70)	690	0.99
1 1/2"	924/48.3	36.5	79.4	95	113	109	100	118	40	M16x120(75)	690	1.41
2"	932/60.3	44.5	96.8	114	133	129	119	139	60	M20x180(100)	690	3.03
2 1/2"	940/73	58.7	123.8	150	175	169	156	183	60	M24x180(110)	690	6.76
3"	948/88.9	71.4	152.4	178	215	202	184	218	70	M30x220(130)	690	11.43

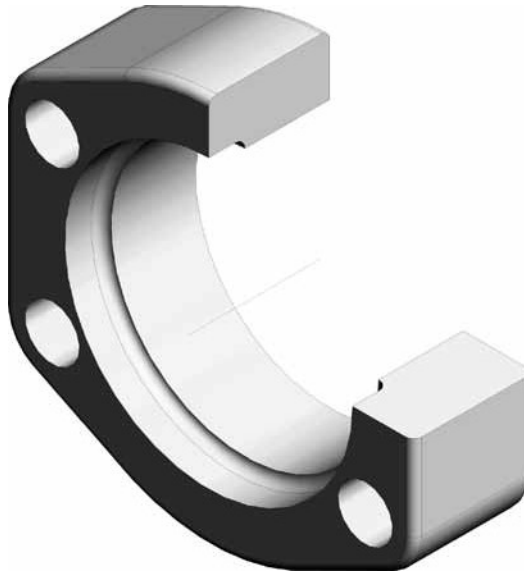
Bigger sizes (from 4" to 8") available on request.  
 \* = According to the previous ISO 6162-2 (2002) standard (M14 bolts).

Manufacturing tolerance for flange thickness (S) ±5%.

L = flange to flange  
 (L) = flange to block  
 Bolt lengths with the seal carrier.

## Retain ring flange

Drilled to ISO 6162-2 (SAE J 518 Code 62)



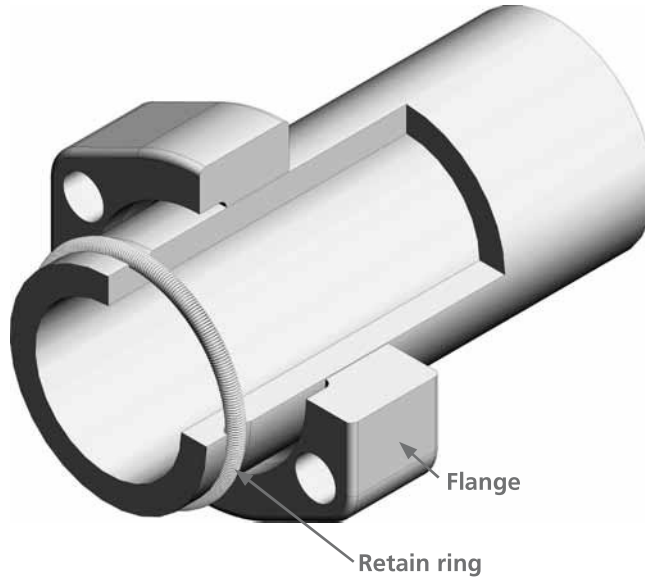
### ANSI 36.10/36.19 pipes

Size	Pipe O.D.	Standard Part No	Standard ID Code	HDG Part No	HDG ID Code	SS Part No	SS ID Code	W.P. bar	Weight [kg]
1/2"	21.3	<b>908/21.3</b>	1103239500	<b>908/21.3HDG</b>	1113250100	<b>908/21.3SS</b>	1203239500	690	0.28
3/4"	26.7	<b>912/26.7</b>	1103240000	<b>912/26.7HDG</b>	1113250200	<b>912/26.7SS</b>	1203240000	690	0.46
1"	33.4	<b>916/33.4</b>	1103242000	<b>916/33.4HDG</b>	1113250300	<b>916/33.4SS</b>	1203242000	690	0.71
1 1/4"	42.2	<b>920/42.2</b>	1103244000	<b>920/42.2HDG</b>	1113250400	<b>920/42.2SS</b>	1203244000	690	1.00
1 1/2"	48.3	<b>924/48.3</b>	1103246000	<b>924/48.3HDG</b>	1113250500	<b>924/48.3SS</b>	1203246000	690	1.80
2"	60.3	<b>932/60.3</b>	1103250000	<b>932/60.3HDG</b>	1113250600	<b>932/60.3SS</b>	1203250000	690	3.03
2 1/2"	73.0	<b>940/73</b>	1103251000	<b>940/73HDG</b>	1113250700	<b>940/73SS</b>	1203251000	690	6.76
3"	88.9	<b>948/88.9</b>	1103252000	<b>948/88.9HDG</b>	1113250800	<b>948/88.9SS</b>	1203252000	690	11.43

Material possibilities:  
 Standard= carbon steel, zinc plated  
 -HDG= carbon steel, hot dip galvanized  
 -SS= stainless steel  
 Bigger size components available on request.

## Grooving direct on to pipe

Drilled to ISO 6162-2 (SAE J 518 Code 62)



### ANSI 36.10/36.19 pipes

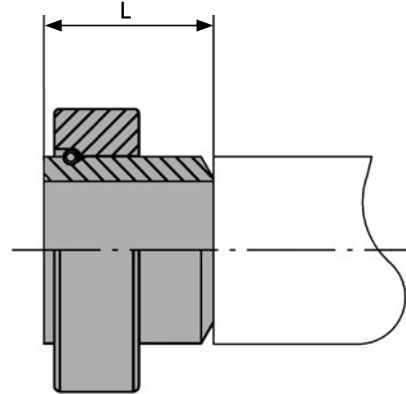
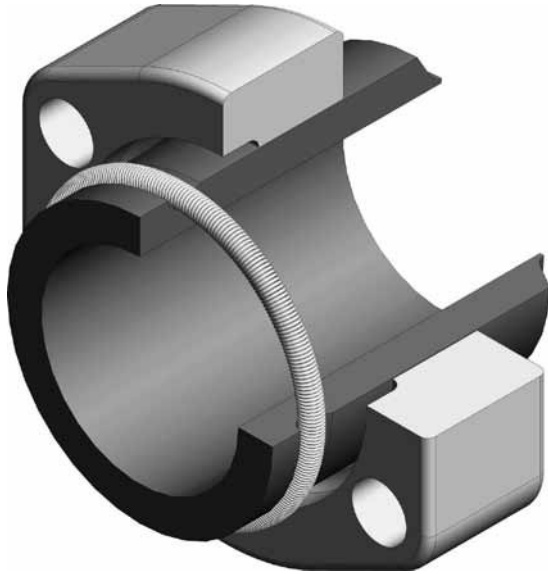
Size	Pipe Size	Flange Part No	Flange ID Code	Retain Ring Part No	Retain Ring ID Code
1/2"	21.3x7.47	908/21.3	1103239500	08/21.3	1902000200
3/4"	26.7x7.82	912/26.7	1103240000	12/26.7	1902001200
1"	33.4x9.09	916/33.4	1103242000	16/33.4	1902002200
1 1/4"	42.2x9.7	920/42.2	1103244000	20/42.2	1902003200
1 1/2"	48.3x10.15	924/48.3	1103246000	24/48.3	1902004200
2"	60.3x11.07	932/60.3	1103250000	32/60.3S=6	1902006450
2 1/2"	73x14.02	940/73	1103251000	40/73S=7	1902007450
3"	88.9x15.24	948/88.9	1103252000	48/88.9S=8	1902008450

Bigger size components available on request.  
 Pipe material duplex (EN 1.4462).  
 Pipe material for sizes 4" (114.3mm) and up super duplex (EN 1.4410).  
 Other materials on request.

Flanges page 159  
 Seal carriers page 164  
 Retain rings page 165

## Flange for welding

Drilled to ISO 6162-2 (SAE J 518 Code 62)



Complete Part No example:  
**908011/21.3X7.47B** includes:  
 908/21.3 1 pc  
 08011/21.3X7.47B-DX 1 pc  
 08/21.3 1 pc

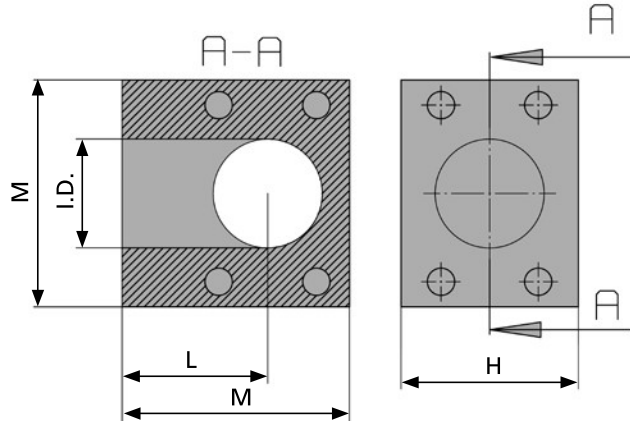
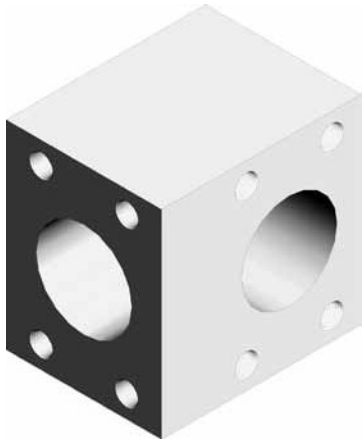
Size	Pipe Size	Complete Part No	Complete ID Code	L	Weight (kg)	Body Part No	Body ID Code
1/2"	21.3x7.47	<b>908011/21.3X7.47B</b>	1301601000	50	0.40	08011/21.3X7.47B-DX	1303003100
3/4"	26.7x7.82	<b>912011/26.7X7.82B</b>	1301601200	55	0.62	12011/26.7X7.82B-DX	1303008300
1"	33.4x9.09	<b>916011/33.4X9.09B</b>	1301601400	55	0.96	16011/33.4X9.09B-DX	1303013700
1 1/4"	42.2x9.7	<b>920011/42.2X9.7B</b>	1301601600	60	1.43	20011/42.2X9.7B-DX	1303021700
1 1/2"	48.3x10.15	<b>924011/48.3X10.15B</b>	1301601800	65	2.37	24011/48.3X10.15B-DX	1303027100
2"	60.3x11.07	<b>932011/60.3X11.07B</b>	1301602000	90	4.03	32011/60.3X11.07B-DX	1303035600
2 1/2"	73x14.02	<b>940011/73X14.02B</b>	1301602200	95	8.60	40011/73X14.02B-DX	1303038900
3"	88.9x15.24	<b>948011/88.9X15.24B</b>	1301602400	110	14.47	48011/88.9X15.24B-DX	1303043000

Body material duplex (EN 1.4462).  
 Bigger size components available on request.  
 Body material for sizes 4" (114.3 mm) and up super duplex (EN 1.4410).  
 Other materials or type A (with O-ring) on request.

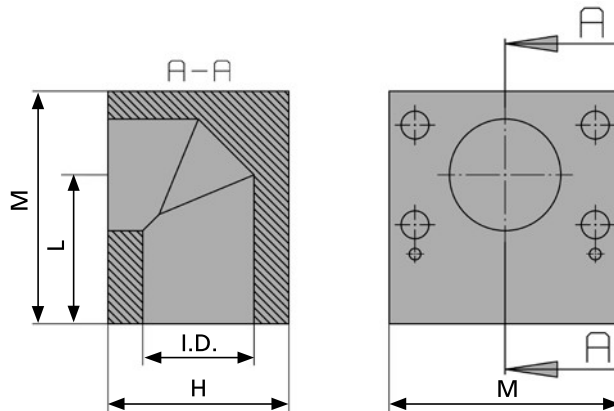
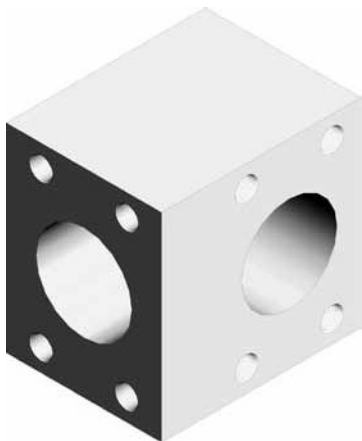
Flanges page 159  
 Retain rings page165

## Tee & elbow block

Drilled to ISO 6162-2 (SAE J 518 Code 62)



Tee block



Elbow block

### Tee block

Size	Part No	ID Code	H	L	M	I.D.	Weight [kg]
1/2"	908116	1702080800	40	36	56	6.3	0.95
3/4"	912116	1702081200	48	49	70	11.1	1.35
1"	916116	1702081600	48	55	80	15.2	2.02
1 1/4"	920116	1702082000	58	63	90	22.8	2.95
1 1/2"	924116	1802082400	68	68	100	28.0	3.95
2"	932116	1702083200	88	90	130	38.1	8.65

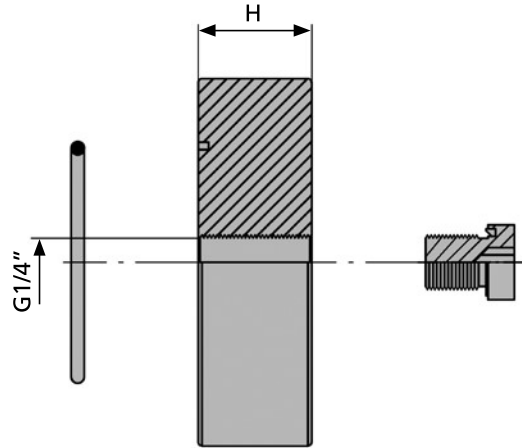
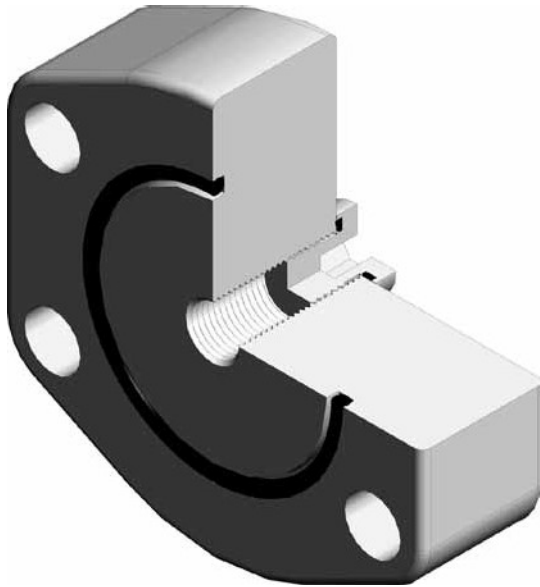
### Elbow block

Size	Part No	ID Code	H	L	M	I.D.	Weight [kg]
1/2"	908115	1603030800	40	36	56	6.3	1.15
3/4"	912115	1603031200	48	49	70	11.1	1.95
1"	916115	1603031600	48	55	80	15.2	2.10
1 1/4"	920115	1603032000	58	63	90	22.8	3.10
1 1/2"	924115	1603032400	68	68	100	28.0	4.20
2"	932115	1603033200	88	90	130	38.1	9.60

Component material:  
 Standard= carbon steel, zinc plated  
 Stainless steel= add SS after Part No  
 Other materials on request.  
 Bigger size components available on request.

## Blind flange

Drilled to ISO 6162-2 (SAE J 518 Code 62)



Size	Part No	ID Code	H	Weight [kg]
1/2"	908125/21.3	1910529080	30	0.41
3/4"	912125/26.7	1910529120	35	0.81
1"	916125/33.4	1910529160	35	0.96
1 1/4"	920125/42.2	1910529200	40	1.40
1 1/2"	924125/48.3	1910529240	40	2.38
2"	932125/60.3	1910529320	60	4.73
2 1/2"	940125/73	1910529400	60	8.71
3"	948125/88.9	1910529480	70	14.83

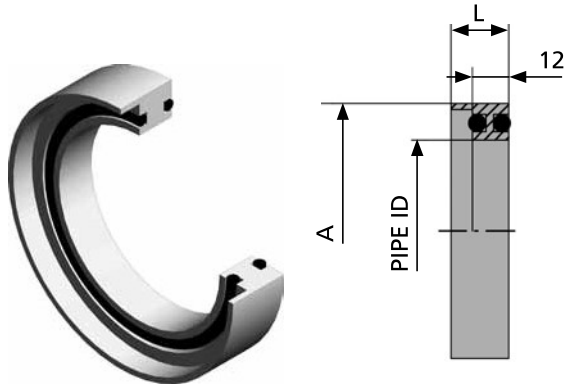
Component material:  
 Standard= carbon steel, zinc plated  
 Other materials on request.  
 Bigger size components available on request.  
 O-ring, ED-seal and plug included in a Part No

Manufacturing tolerance for  
 flange thickness (H) ±5%.

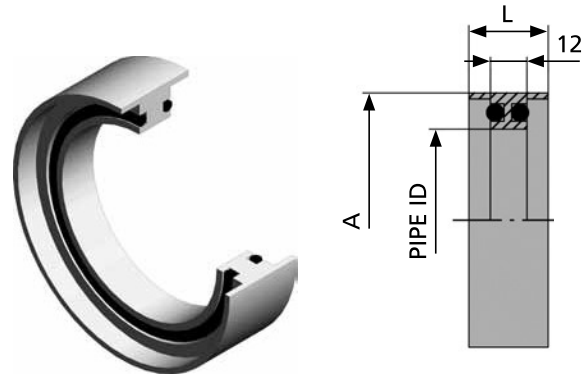
O-rings page 166

## Seal carrier

Drilled to ISO 6162-2 (SAE J 518 Code 62)



Type S



Type D

### Type S with O-rings between flange and block – ANSI 36.10/36.19 pipes

Size	Part No	ID Code	O-Ring	A	L	Pipe Size
1/2"	0820/21.3X7.475-DX	1811005000	OR12.37X2.62	26	15	21.3x7.47
3/4"	1220/26.7X7.825-DX	1811006000	OR17.5X2	31	15	26.7x7.82
1"	1620/33.4X9.095-DX	1811007000	OR20.22X3.53	38	15	33.4x9.09
1 1/4"	2020/42.2X9.75-DX	1811008000	OR28.17X3.53	47	15	42.2x9.7
1 1/2"	2420/48.3X10.155-DX	1811009000	OR35.2X3	53	15	48.3x10.15
2"	3220/60.3X11.075-DX	1811010400	OR47.22X3.53	65	15	60.3x11.07
2 1/2"	4020/73X14.025-DX	1811011500	OR58.74X3.53	79	15	73x14.02
3"	4820/88.9X15.245-DX	1811012400	OR72.62X3.53	93	15	88.9x15.24

### Type D with O-rings between flanges – ANSI 36.10/36.19 pipes

Size	Part No	ID Code	O-Ring	A	L	Pipe Size
1/2"	0820/21.3X7.47D-DX	1811005100	OR12.37X2.62	26	18	21.3x7.47
3/4"	1220/26.7X7.82D-DX	1811006100	OR17.5X2	31	18	26.7x7.82
1"	1620/33.4X9.09D-DX	1811007100	OR20.22X3.53	38	18	33.4x9.09
1 1/4"	2020/42.2X9.7D-DX	1811008100	OR28.17X3.53	47	18	42.2x9.7
1 1/2"	2420/48.3X10.15D-DX	1811009100	OR35.2X3	53	18	48.3x10.15
2"	3220/60.3X11.07D-DX	1811010500	OR47.22X3.53	65	18	60.3x11.07
2 1/2"	4020/73X14.02D-DX	1811011600	OR58.74X3.53	79	18	73x14.02
3"	4820/88.9X15.24D-DX	1811012500	OR72.62X3.53	93	18	88.9x15.24

Component material duplex (EN 1.4462).  
 Bigger size components available on request.  
 Body material for sizes 4" (114.3 mm) and up super duplex (EN 1.4410).  
 Other materials on request.

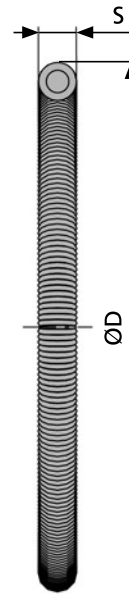
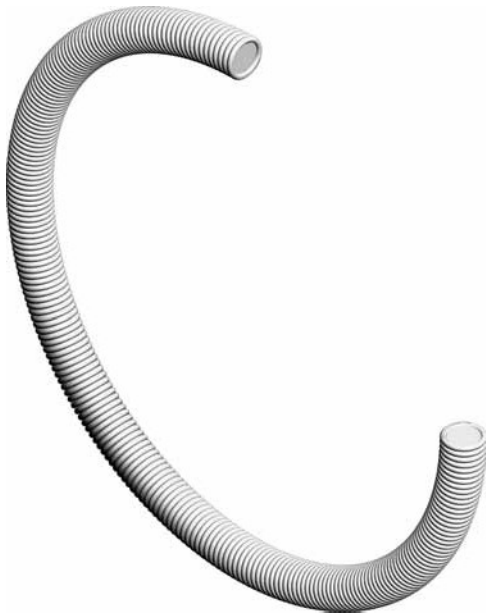
O-ring not included in a Part No,  
 please order separately.

O-rings page 166



## Retain ring

Drilled to ISO 6162-2 (SAE J 518 Code 62)



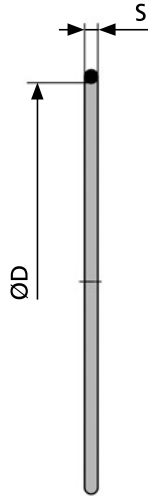
### ANSI 36.10/36.19 pipes

Size	Part No	ID Code	Pipe O.D.	D	S
1/2"	08/21.3	1902000250	21.3	25.3	4
3/4"	12/26.7	1902001250	26.7	30.7	4
1"	16/33.4	1902002250	33.4	38.4	5
1 1/4"	20/42.2	1902003250	42.2	47.2	5
1 1/2"	24/48.3	1902004250	48.3	53.3	5
2"	32/60.3S=6	1902006450	60.3	66.3	6
2 1/2"	40/73S=7	1902007450	73.0	80.0	7
3"	48/88.9S=8	1902008450	88.9	96.9	8

Component material:  
 AISI 316, special treated  
 Bigger size components available on request.

## O-ring between flange connection

Drilled to ISO 6162-2 (SAE J 518 Code 62)



Size	Part No	ID Code
1/2"	OR12.37X2.62	2701500500
3/4"	OR17.5X2	2701505300
1"	OR20.22X3.53	2701508100
1 1/4"	OR28.17X3.53	2701516100
1 1/2"	OR35.2X3	2701522200
2"	OR47.22X3.53	2701529000
2 1/2"	OR58.74X3.53	2701535500
3"	OR72.62X3.53	2701540500

Material possibilities:  
 Standard= NBR, Shore 90 A  
 FPM (Viton), Shore 90 A= add V after Part No  
 Other materials on request.  
 Bigger size components available on request.